

Temporary works equipment —

Part 1: Scaffolds — Performance requirements and general design

The European Standard EN 12811-1:2003 has the status of a
British Standard

ICS 91.220

National foreword

This British Standard is the official English language version of EN 12811-1:2003. It supersedes BS 5973:1993 which is withdrawn.

The UK participation in its preparation was entrusted by Technical Committee B/514, Access and support equipment, to Subcommittee B/514/21, Access and working scaffolds, which has the responsibility to:

- aid enquirers to understand the text;
- present to the responsible international/European committee any enquiries on the interpretation, or proposals for change, and keep the UK interests informed;
- monitor related international and European developments and promulgate them in the UK.

A list of organizations represented on this subcommittee can be obtained on request to its secretary.

It is anticipated that CEN will issue a corrigendum to correct the following items:

- a) in the key of Figure 5, line 3, “see Table 4” will read as “see Table 3”;
- b) in Equation 10 the value “ $2,4M_{B,d}$ ” will read as “ $2,0M_{B,d}$ ”;
- c) in Table C.1 the bending moment $M_{B,k}$ in kN·m for class B, the value “2,4” will read as “1,4”;
- d) in the title of Figure C.2, “and C” will be deleted.

EN 12811-1:2003 is published with three national annexes. National annex NA gives general guidance on the use of this standard. National annex NB gives detailed information on the differences between this standard and BS 5973 (withdrawn). National annex NC discusses the aspects of structural design by limit state covered by this standard, but not considered in BS 5973 (withdrawn).

Cross-references

The British Standards which implement international or European publications referred to in this document may be found in the *BSI Catalogue* under the section entitled “International Standards Correspondence Index”, or by using the “Search” facility of the *BSI Electronic Catalogue* or of British Standards Online.

This publication does not purport to include all the necessary provisions of a contract. Users are responsible for its correct application.

Compliance with a British Standard does not of itself confer immunity from legal obligations.

Summary of pages

This document comprises a front cover, an inside front cover, the EN title page, pages 2 to 56, an inside back cover and a back cover.

The BSI copyright notice displayed in this document indicates when the document was last issued.

Amendments issued since publication

Amd. No.	Date	Comments

This British Standard was published under the authority of the Standards Policy and Strategy Committee on 16 June 2004

© BSI 16 June 2004

ISBN 0 580 43279 3

ICS 91.220

English version

Temporary works equipment - Part 1: Scaffolds - Performance requirements and general design

Equipements temporaires de chantiers - Partie 1:
Echafaudages - Exigences de performance et étude, en
général

Temporäre Konstruktionen für Bauwerke - Teil 1:
Arbeitsgerüste - Leistungsanforderungen, Entwurf,
Konstruktion und Bemessung

This European Standard was approved by CEN on 4 September 2003.

CEN members are bound to comply with the CEN/CENELEC Internal Regulations which stipulate the conditions for giving this European Standard the status of a national standard without any alteration. Up-to-date lists and bibliographical references concerning such national standards may be obtained on application to the Management Centre or to any CEN member.

This European Standard exists in three official versions (English, French, German). A version in any other language made by translation under the responsibility of a CEN member into its own language and notified to the Management Centre has the same status as the official versions.

CEN members are the national standards bodies of Austria, Belgium, Czech Republic, Denmark, Finland, France, Germany, Greece, Hungary, Iceland, Ireland, Italy, Luxembourg, Malta, Netherlands, Norway, Portugal, Slovakia, Spain, Sweden, Switzerland and United Kingdom.



EUROPEAN COMMITTEE FOR STANDARDIZATION
COMITÉ EUROPÉEN DE NORMALISATION
EUROPÄISCHES KOMITEE FÜR NORMUNG

Management Centre: rue de Stassart, 36 B-1050 Brussels

© 2003 CEN All rights of exploitation in any form and by any means reserved
worldwide for CEN national Members.

Ref. No. EN 12811-1:2003 E

Contents

	Page
Introduction	4
1 Scope	5
2 Normative references	5
3 Terms and definitions.....	6
4 Materials.....	10
5 General requirements.....	11
6 Requirements for structural design	17
7 Product manual.....	26
8 Instruction manual.....	26
9 Work on site.....	27
10 Structural design	27
Annex A (informative) Wind loads on clad working scaffolds.....	35
Annex B (normative) Base jacks; data for calculation	37
Annex C (normative) Characteristic values of the resistances for couplers	41
Annex D (Informative) National A-deviations	44
Bibliography	45
National annex NA (informative) Summary of major points.....	46
National annex NB (informative) Requirements unique to this standard or covered in less detail in BS 5973 (withdrawn)	48
National annex NC (informative) Aspects of structural design covered by this standard but not by BS 5973	54
National bibliography.....	56

Foreword

This document (EN 12811-1:2003) has been prepared by Technical Committee CEN/TC 53 "Temporary works equipment", the secretariat of which is held by DIN.

This European Standard shall be given the status of a national standard, either by publication of an identical text or by endorsement, at the latest by June 2004, and conflicting national standards shall be withdrawn at the latest by June 2004.

This European Standard is one of the package of standards listed below:

- EN 12810-1, Façade scaffolds made of prefabricated components - Part 1: Product specifications
- EN 12810-2, Façade scaffolds made of prefabricated components- Part 2: Particular methods of structural design
- EN 12811-1, Temporary works equipment – Part 1:– Scaffolds – Performance requirements and general design
- prEN 12811-2, Temporary works equipment.– Part 2: Information on materials
- EN 12811-3, Temporary works equipment – Part 3: Load testing

Annexes A and D are informative. Annexes B and C are normative.

This document includes a bibliography.

According to the CEN/CENELEC Internal Regulations, the national standards organizations of the following countries are bound to implement this European Standard: Austria, Belgium, Czech Republic, Denmark, Finland, France, Germany, Greece, Hungary, Iceland, Ireland, Italy, Luxembourg, Malta, Netherlands, Norway, Portugal, Slovakia, Spain, Sweden, Switzerland and the United Kingdom.

Introduction

The purpose of a working scaffold is to provide a safe place of work with safe access suitable for the work being done. This European Standard sets out performance requirements for working scaffolds. These are substantially independent of the materials of which the scaffold is made. The standard is intended to be used as the basis for enquiry and design.

As a number of options are given to suit different applications, a choice has to be made between the various alternatives within this European Standard. All other requirements could be in an associated job specification.

Based on these requirements, a set of rules can be drawn up for a particular type of equipment. These may be standard for general use, or specially prepared for a particular job.

This European Standard includes rules for structural design, which are of particular relevance to scaffolds made of certain materials.

For materials this standard refers only to valid EN standards. However a large stock of equipment made of materials conforming to standards no longer valid is in use. This standard does not cover the use of this equipment.

Because the dimensions of the working scaffold depend on the type of work and the method of execution, the corresponding national legal rules should be taken into account.

1 Scope

This European Standard specifies performance requirements and methods of structural and general design for access and working scaffolds, referred to from hereon as working scaffolds. Requirements given are for scaffold structures, which rely on the adjacent structures for stability. In general these requirements also apply to other types of working scaffolds. Normal requirements are set down, but there is also provision for special cases.

This European Standard also specifies structural design rules when certain materials are used and general rules for prefabricated equipment.

The standard excludes:

- platforms suspended by ropes, whether fixed or movable;
- horizontally movable platforms including Mobile Access Towers (MAT);
- power-operated platforms;
- scaffolds used as protection for roof work;
- temporary roofs.

NOTE 1 Most working scaffolds are formed from prefabricated components or from tubes and couplers. Some examples of working scaffolds are façade scaffolds, static towers and birdcage scaffolds, but details are not given for all of these.

NOTE 2 Falsework and shoring may be made of the structural components described in this standard, but are not working scaffolds.

NOTE 3 Particular requirements for façade scaffolds made of prefabricated components are specified in EN 12810 -1 and EN 12810-2.

2 Normative references

This European Standard incorporates by dated or undated reference, provisions from other publications. These normative references are cited at the appropriate places in the text and the publications are listed hereafter. For dated references, subsequent amendments to or revisions of any of these publications apply to this European Standard only when incorporated in it by amendment or revision. For undated references the latest edition of the publication referred to apply (including amendments).

EN 74: 1988, *Couplers, loose spigots and base-plates for use in working scaffolds and falsework made of steel tubes – Requirements and test procedures.*

prEN 74-1, *Couplers, spigots and baseplates for use in falsework and scaffolds – Part 1: Couplers for tubes – Requirements and test methods.*

EN 338, *Structural timber – Strength classes.*

EN 12810-1:2003, *Façade scaffolds made of prefabricated elements – Part 1: Product specifications.*

EN 12810-2, *Façade scaffolds made of prefabricated elements – Part 2: Methods of particular design and assessment.*

prEN 12811-2: *Temporary works equipment – Part 2: Information on materials.*

EN 12811-3: *Temporary works equipment – Part 3: Load testing.*

prEN 12812:1997, *Falsework - Performance requirements and general design.*

ENV 1990, *Eurocode 1: Basis of structural design.*

EN 12811-1:2003 (E)

ENV 1991-2-4, *Eurocode 1: Basis of design and actions on structures – Part 2-4: Wind actions.*

ENV 1993-1-1:1992, *Eurocode 3: Design of steel structures – Part 1-1: General rules and rules for buildings.*

ENV 1995-1-1, *Eurocode 5: Design of timber structures – Part 1-1: General rules and rules for buildings.*

ENV 1999-1-1:1998, *Eurocode 9: Design of aluminium structures – Part 1-1: Common rules.*

3 Terms and definitions

For the purposes of this European Standard, the following terms and definitions apply (see also Figure 1):

3.1

anchorage

means inserted in, or attached to, the structure for attaching a tie member

NOTE The effect of an anchorage may be achieved by the tie being connected to a part of the structure primarily intended for other purposes, see 3.23.

3.2

base jack

base plate, which has a means of vertical adjustment

3.3

base plate

plate used for spreading the load in a standard over a greater area

3.4

birdcage scaffold

scaffold structure comprising a grid of standards and a decked area usually intended for working or storage

3.5

bracing in horizontal plane

assembly of components which provides shear stiffness in the horizontal planes, e.g. by decking components, frames, framed panels, diagonal braces and rigid connections between transoms and ledgers or other items used for horizontal bracing

3.6

bracing in vertical plane

assembly of components which provides shear stiffness in the vertical planes, e.g. by closed frames with or without corner bracing, open frames, ladder frames with access openings, rigid or semi-rigid connections between horizontals and the vertical components, diagonal bracing, or other items used for vertical bracing

3.7

cladding

material normally intended to provide weather and dust protection, typically sheeting or netting

3.8

coupler

device used to connect two tubes

3.9

design

conception and calculation to produce a scheme for erection

6

3.10**ledger**

horizontal member normally in the direction of the larger dimension of the working scaffold

3.11**modular system**

system in which transoms and standards are separate components where the standards provide facilities at predetermined (modular) intervals for the connection for other scaffold components

3.12**netting**

pervious cladding material

3.13**node**

theoretical point where two or more members are connected together

3.14**parallel coupler**

coupler used for connecting two parallel tubes

3.15**platform**

one or more platform units in one level within a bay

3.16**platform unit**

unit (prefabricated or otherwise) that supports a load on its own and which forms the platform or part of the platform and may form a structural part of the working scaffold

3.17**right angle coupler**

coupler used for connecting two tubes crossing at a right angle

3.18**sheeting**

impervious cladding material

3.19**side protection**

set of components forming a barrier to protect people from the risk of falling and to retain materials

3.20**sleeve coupler**

coupler used for joining two tubes located co-axially

3.21**standard**

upright member

3.22**swivel coupler**

coupler used for connecting two tubes crossing at any angle

3.23**tie member**

component of the scaffold, which connects it with an anchorage at the structure

3.24

transom

horizontal member normally in the direction of the smaller dimensions of the working scaffold

3.25

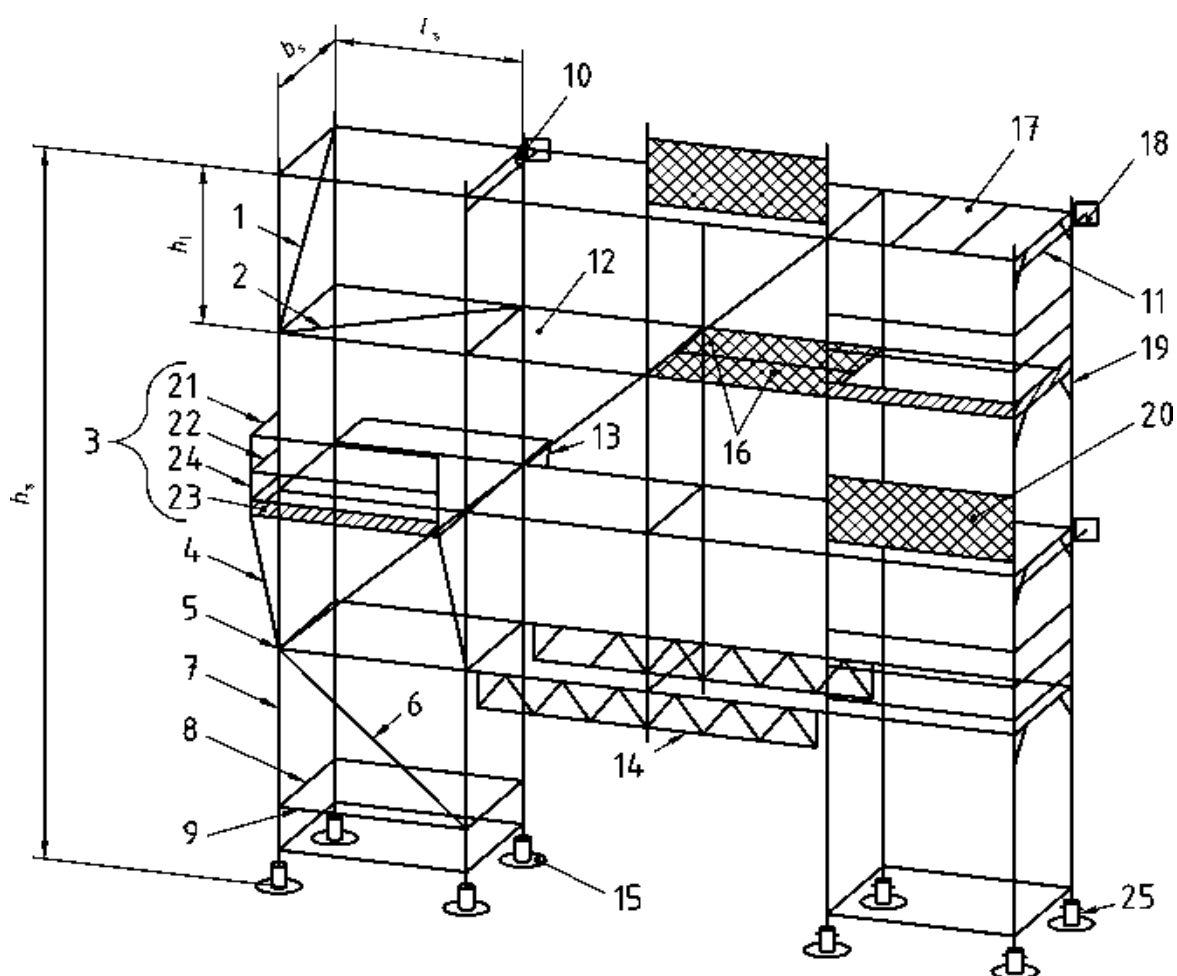
working area

sum of the platforms in one level, to provide an elevated safe place for people to work on and to give access to their work.

3.26

working scaffold

temporary construction, which is required to provide a safe place of work for the erection, maintenance, repair or demolition of buildings and other structures and for the necessary access



Key

h_s	Scaffold height	11	Tie member (3.23)
b_s	Scaffold bay width, centre to centre of standards	12	Platform (3.15)
l_s	Scaffold bay length, centre to centre of standards	13	Bracket (-)
h_l	Scaffold lift height	14	Bridging ledger (-)
1	Bracing in vertical plane ((transverse diagonal) (3.6)	15	Base plate (3.3)
2	Bracing in horizontal plane (3.5)	16	Platform unit (3.16)
3	Side protection (3.19)	17	Horizontal frame (-)
4	Bracket brace (-)	18	Anchorage (3.1)
5	Node (3.13)	19	Vertical frame (-)
6	Bracing in vertical plane (longitudinal diagonal) (3.6)	20	Fencing structure (5.5.5)
7	Standard (3.21)	21	Principal guardrail (5.5.2)
8	Transom (3.24)	22	Intermediate guardrail (5.5.3)
9	Ledger (3.10)	23	Toeboard (5.5.4)
10	Coupler(3.8)	24	Post (-)
		25	Base jack (3.2)

NOTE 1 The Figure is for component identification purposes only and does not show any requirements.

NOTE 2 (-) These terms are not found in the text, but are useful to understand the various components that can be used with a working scaffold.

Figure 1 — Examples of typical components of a façade scaffold system

4 Materials

4.1 General

Materials shall fulfil the requirements given in European Standards, where design data are provided.

Information for the most commonly used materials is given in prEN 12811-2. Material used shall be sufficiently robust and durable to withstand normal working conditions.

Materials shall be free from any impurities and defects, which may affect their satisfactory use.

4.2 Specific material requirements

4.2.1 Steel

4.2.1.1 General

Steels of deoxidation type FU (rimming steels) shall not be used.

4.2.1.2 Loose tubes

Loose tubes to which it is possible to attach couplers complying with prEN 74-1 (i.e. nominal 48,3 mm outside diameter) shall have a minimum nominal yield strength of 235 N/mm² and a minimum nominal wall thickness of 3,2 mm.

NOTE Loose tubes are usually found in tubes and couplers scaffolds but can also be used in façade scaffold made of prefabricated components e.g. to tie a working scaffold to the façade

4.2.1.3 Tubes for prefabricated components for scaffold systems

For tubes incorporated in prefabricated components for scaffold systems according to EN 12810-1 of nominal outside diameter of 48,3 mm the specifications of EN 12810-1 apply.

Tubes shall not be indented beyond the limits in prEN 74-1 when couplers are attached.

Tubes of external nominal diameter different from the range of 48,3 mm, other than side protection, shall have the following nominal characteristics:

- wall thickness $\geq 2,0$ mm
- yield stress, R_{eH} ≥ 235 N/mm²
- elongation, A ≥ 17 %

4.2.1.4 Side protection

Items used exclusively for side protection, other than toe-boards, shall have a minimum nominal wall thickness of 1,5 mm. For toeboards the minimum nominal wall thickness shall be 1,0 mm. A lesser thickness may be used if the serviceability and load bearing capacity is ensured for instance by the use of stiffening sections, bracing or shaping of the cross section.

4.2.1.5 Platform units

Platform units and their immediate supports shall have a minimum nominal thickness of 2,0 mm. A lesser thickness may be used if the serviceability and load bearing capacity is ensured for instance by the use of stiffening sections, bracing or shaping of the cross section.

4.2.1.6 Protective coating for components

Components shall be protected as determined in prEN 12811-2.

4.2.2 Aluminium alloys

4.2.2.1 Loose tubes

Loose tubes, to which it is possible to attach couplers complying with prEN 74-1 (i.e. 48,3 mm nominal outside diameter), shall have a minimum nominal 0,2 % proof stress of 195 N/mm² and a minimum nominal wall thickness of 4,0 mm.

4.2.2.2 Tubes for prefabricated components for scaffold systems

For tubes incorporated in prefabricated components in scaffold systems according to EN 12810-1 of nominal outside diameter of 48,3 mm the requirements of EN 12810-1 apply.

4.2.2.3 Side protection

Items used solely for side protection shall have a minimum nominal wall thickness of 2,0 mm. A lesser thickness may be used if the serviceability and load bearing capacity is ensured for instance by the use of stiffening sections, bracing or shaping of the cross section.

4.2.2.4 Platform units

Platform units and their immediate supports shall have a minimum nominal thickness of 2,5 mm. A lesser thickness may be used if the serviceability and load bearing capacity is ensured for instance by the use of stiffening sections, bracing or shaping of the cross section.

4.2.3 Timber and timber based materials

Timber shall be stress graded in accordance with EN 338.
If a protective coating is used, it shall not prevent the discovery of defects in the material.

Plywood for platform units shall have at least five plies and a minimum thickness of 9 mm.

Plywood platform units assembled ready for use shall be capable of retaining a circular steel bar of 25 mm diameter and 300 mm length falling endwise from a height of 1 m.

Plywood shall have a good durability with regard to climatic conditions.

5 General requirements

5.1 General

Every area for access and working shall be so arranged as to provide a convenient working place, and to:

- protect people from the risk of falling;
- provide safe storage of materials and equipment;
- protect those below from falling objects.

Attention shall be paid to ergonomic considerations.

The area shall be fully decked and shall be provided with appropriate side protection (see 5.5) when ready for use.

Connections between separate parts shall be effective and easy to monitor. They shall be easy to assemble and secure against accidental disconnection.

5.2 Width classes

The width, w , is the full width of the working area including up to 30 mm of the toeboard, see Figure 2. Seven width classes are given in Table 1.

NOTE 1 In some countries minimum widths are laid down for various types of work activity.

The clear distance between standards, c , shall be at least 600 mm; the clear width of stairways shall not be less than 500 mm.

Each working area, including the corners, shall have its specified width along its full length. This requirement does not apply in the immediate vicinity of a pair of standards, where there shall be a completely unimpeded area with a minimum width, b and p in accordance with the dimensions given in Figure 2.

NOTE 2 When equipment or materials are placed on the working area, consideration should be given to maintaining space for work and access.

Table 1 — Width classes for working areas

Width class	W in m
W06	$0,6 \leq w < 0,9$
W09	$0,9 \leq w < 1,2$
W12	$1,2 \leq w < 1,5$
W15	$1,5 \leq w < 1,8$
W18	$1,8 \leq w < 2,1$
W21	$2,1 \leq w < 2,4$
W24	$2,4 \leq w$

5.3 Headroom

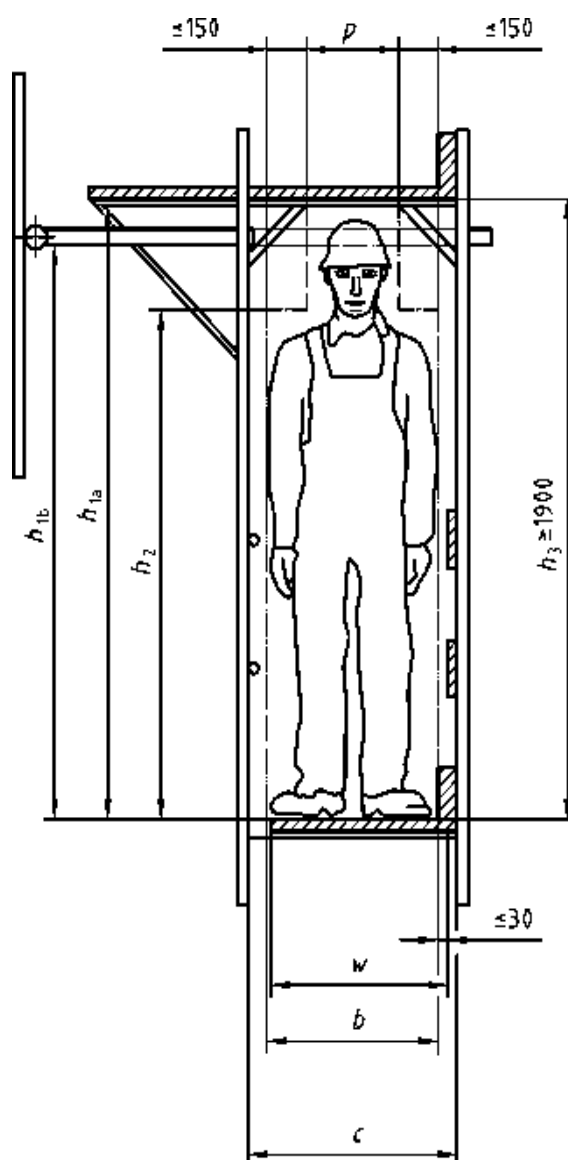
The minimum clear headroom, h_3 , between working areas shall be 1,90 m.

The headroom requirements for the height h_{1a} between working areas and transoms or for the height h_{1b} (see Figure 2) between working areas and tie members are given in Table 2.

Table 2 — Headroom classes

Class	Clear headroom		
	Between working areas h_3	Between working areas and transoms or tie members h_{1a}, h_{1b}	Minimum clear height at shoulder level h_2
H_1	$h_3 \geq 1,90$ m	$1,75 \text{ m} \leq h_{1a} < 1,90 \text{ m}$ $1,75 \text{ m} \leq h_{1b} < 1,90 \text{ m}$	$h_2 \geq 1,60$ m
H_2	$h_2 \geq 1,90$ m	$h_{1a} \geq 1,90$ m $h_{1b} \geq 1,90$ m	$h_2 \geq 1,75$ m

NOTE For side protection, see 5.5.



Key

- b = free walking space, which shall be at least the greater of 500 mm and $(c - 250 \text{ mm})$
- c = clear distance between standards
- h_{1a} , h_{1b} = clear headroom between working areas and transoms or tie members respectively
- h_2 = clear shoulder height
- h_3 = clear headheight between working areas
- p = clear headheight width, which shall be at least the greater of 300 mm and $(c - 450 \text{ mm})$
- w = width of the working area in accordance with clause 5.2

Figure 2 — Requirements for headroom and width of working areas

5.4 Working areas

- a) It shall be possible to secure platform units against dangerous displacement e.g. unintended dislodging or uplifting by wind forces.

b) Platform units should have a slip-resistant surface.

NOTE A timber surface normally meets the requirements for slip-resistance. The risk of tripping from any method used to secure the platform unit or from overlapping should be minimised.

c) The gaps between platform units shall be as small as possible but not exceeding 25 mm.

d) Working areas shall be as level as practicable. If the slope exceeds 1 in 5, securely attached full width footholds shall be provided. Except that, where necessary, there may be gaps not exceeding a width of 100 mm in the centre of the footholds to facilitate the use of wheelbarrows.

5.5 Side protection

5.5.1 General

Working and access areas shall be safeguarded by a side protection consisting of at least a principal guardrail, intermediate side protection and a toeboard. See Figure 3. The toeboard may be dispensed with on stairways.

Side protection shall be secured against unintended removal.

For structural design requirements, see clause 6.

NOTE 1 The side protection should not be provided by cladding on its own.

NOTE 2 For special cases e.g. use of working scaffolds in vertical formwork there may be a need of inclined side protection, which is outside the field of application of this standard.

dimensions in millimetres

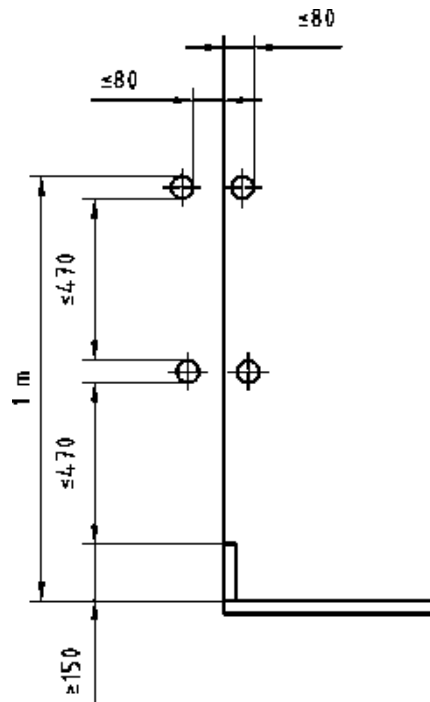


Figure 3 — Dimensions for vertical side protection with one intermediate guardrail

5.5.2 Principal guardrail

The principal guardrail shall be fixed so that its top surface is 1 m or more above the adjacent level of the working area everywhere (absolute minimum height 950 mm).

5.5.3 Intermediate side protection

Intermediate side protection shall be fixed between the principal guardrail and the toeboard. Intermediate side protection may consist of:

- one or more intermediate guardrails, or
- a frame, or
- a frame of which the principal guardrail forms the top edge, or
- a fencing structure

Openings in the side protection shall be so dimensioned that a sphere with a diameter of 470 mm will not pass through them.

5.5.4 Toeboard

A toeboard shall be fixed so that its top edge is at least 150 mm above the adjacent level of the working area. Holes and slots in a toeboard shall, except for handling holes be no larger than 25 mm in one direction.

5.5.5 Fencing structures

The area of each hole or slot in fencing structures shall not exceed 100 cm². In addition, the horizontal dimension of each hole or horizontal slot shall not exceed 50 mm.

5.5.6 Location of the components of the side protection

The horizontal distance between the outer face of the toeboard and the inner face of the guardrail and all the components of the intermediate side protection shall not exceed 80 mm.

5.6 Cladding

Where cladding of the working scaffold is required, this standard assumes that the scaffold will be clad with either netting or sheeting.

5.7 Base plates and base jacks

5.7.1 General

The strength and rigidity of the base plates and base jacks shall be sufficient to ensure that it can transmit the maximum design load from the working scaffold to the foundations. The area of the end plate shall be a minimum of 150 cm². The minimum width shall be 120 mm.

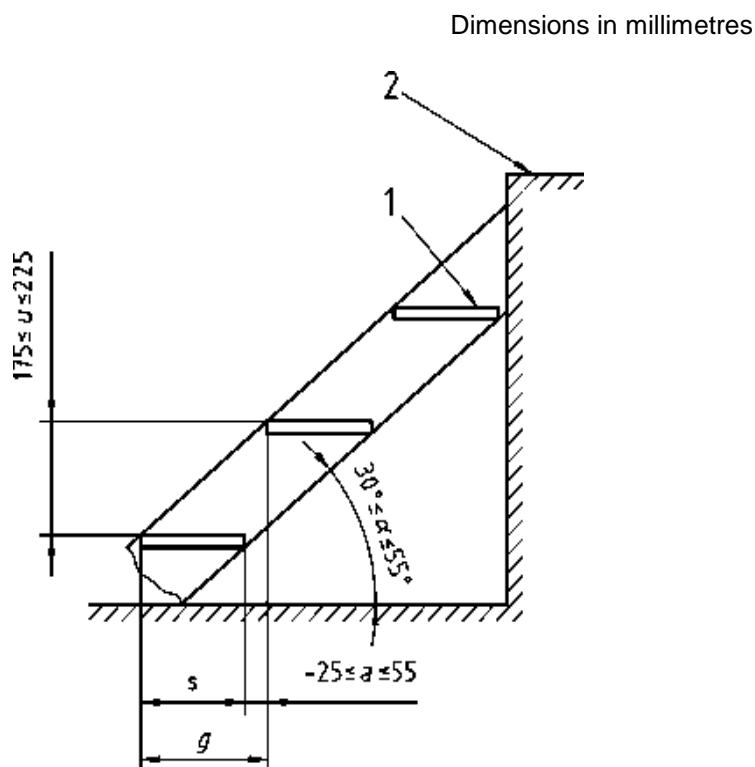
5.7.2 Base plates

Base plates made of steel shall conform to EN 74.

5.7.3 Base jacks

Base jacks shall be provided with a centrally positioned adjusting spindle of such dimensions that, in the unloaded condition, the greatest inclination of the axis of the shaft from the axis of the standard does not exceed 2,5 %. The minimum overlap length at any position of adjustment shall be 25 % of the total length of the shaft, or 150 mm whichever is greater. The thickness of the endplate shall be at least 6 mm. Shaped endplates shall have at least the same rigidity.

Stairway dimensions		
Dimension	Class	
	A mm	B mm
s	$125 \leq s < 165$	$s \geq 165$
g	$\geq 150 \leq g < 175$	$g \geq 175$
Minimum clear width 500 mm		



Key

- 1 Tread
- 2 Landing

Figure 4 — Stairway dimensions

5.8.3 Access openings

The clear dimensions of an access opening in a platform shall be at least 0,45 m wide, measured across the width of the platform, and 0,60 m long. Should it not be possible to close the opening by means of a permanently attached trapdoor, it shall be possible to install a protective railing. The trapdoor shall be fastenable in the closed position.

6 Requirements for structural design

6.1 Basic requirements

6.1.1 General

Each working scaffold shall be designed, constructed and maintained to ensure that it does not collapse or move unintentionally and so that it can be used safely. This applies at all stages, including erection, modification and until fully dismantled.

The scaffold components shall be designed so they can be safely transported, erected, used, maintained, dismantled and stored.

6.1.2 External support

A working scaffold shall have a support or foundation capable of resisting the design loads and limiting movement.

Lateral stability of the scaffold structure as a whole and locally shall be verified when subjected to the different design forces, for example from the wind.

NOTE 1 Lateral stability can be provided by tie members to the adjacent building or structure. Alternatively other methods, such as guy ropes, kentledge or anchors may be used.

NOTE 2 It may be necessary to remove individual ties temporarily in order to carry out work on the permanent structure. In such a case removal of the ties should be taken into consideration in the design and a method statement prepared specifying the sequence for removal and replacement of ties.

6.1.3 Load classes

To cater for different working conditions, this European Standard specifies six load classes and seven width classes of working areas. The service loads are set out in Table 3.

The load class for working areas shall correspond to the nature of work.

NOTE In exceptional cases, where it is impractical to adopt one of the load classes or the activity is more onerous, different parameters may be adopted and specified after analysis of the use to which the working scaffold will be put. Consideration should be given to the actual activities to be undertaken. Some examples of items to be considered are:

- a) The weight of all equipment and materials stored on the working area,
- b) Dynamic effects from material placed on the working area by powered plant and
- c) Load from manually operated plant such as wheelbarrows.

Storage of materials on working scaffolds of load class 1 is not covered by the service loads specified in Table 3.

Table 3 — Service loads on working areas (see also 6.2.2)

Load class	Uniformly distributed load q_1 kN/m ²	Concentrated load on area 500 mm x 500 mm F_1 kN	Concentrated load on area 200 mm x 200 mm F_2 kN	Partial area load	
				q_2 kN/m ²	Partial area factor a_p ¹
1	0,75 ²	1,50	1,00	---	---
2	1,50	1,50	1,00	---	---
3	2,00	1,50	1,00	---	---
4	3,00	3,00	1,00	5,00	0,4
5	4,50	3,00	1,00	7,50	0,4
6	6,00	3,00	1,00	10,00	0,5

¹ See 6.2.2.4
² See 6.2.2.1

6.2 Actions

6.2.1 General

The values specified in 6.2 shall be treated as characteristic values of the actions (loads).

There are three main types of loading which need to be considered:

- Permanent loads; these shall include the self weight of the scaffold structure, including all components, such as platforms, fences, fans and other protective structures and any ancillary structures such as hoist towers.
- Variable loads; these shall include service loads (loading on the working area, loads on the side protection) and wind loads and, if appropriate, snow and ice loads (see 6.2.6).
- Accidental loads; the only accidental load specified in this European Standard is the loading according to 6.2.5.1.

Loadings given in 6.2.2 and 6.2.5 do not cover actions from people jumping or falling down from a height onto the platform or onto the side protection.

6.2.2 Loading on the working area

6.2.2.1 General

The service loads shall be as specified in Table 3. Each working area shall be capable of supporting the various loadings, q_1 , F_1 and F_2 , separately but not cumulatively. Only the uniformly distributed load, q_1 , has to be carried down to the support of the scaffold structure, for birdcage scaffolds the partial area loads also, see Figure 5d.

For the purposes of structural design, service loads on the working area shall be applied over an area determined as follows:

- Where there are contiguous platforms along or across the working scaffold, the dividing edge shall be taken as a centreline between the supporting standards.
- At any outer edge the dimension, w , shall be taken to the actual edge or, where there is a toeboard, as it is defined in 5.2. See figure 2.

For working scaffolds of load class 1, all platform units shall be capable of supporting class 2 service load, but this shall not apply to the scaffold structure in its entirety.

6.2.2.2 Uniformly distributed service load

Each working area shall be capable of supporting the uniformly distributed load, q_1 , specified in Table 3.

6.2.2.3 Concentrated load

Each platform unit shall be capable of supporting the load, F_1 , specified in Table 3, uniformly distributed over an area of 500 mm x 500 mm and, but not simultaneously, the load, F_2 , specified in Table 3, uniformly distributed over an area of 200 mm x 200 mm.

The load path shall be capable of transferring the forces caused by the loads to the standards. The position of each load shall be chosen to give the most unfavourable effect.

When a platform unit is less than 500 mm wide, the load, F_1 , according to Table 3, may be reduced for this unit in proportion to its width, except that in no case shall the loading be reduced to less than 1,5 kN.

6.2.2.4 Partial area load

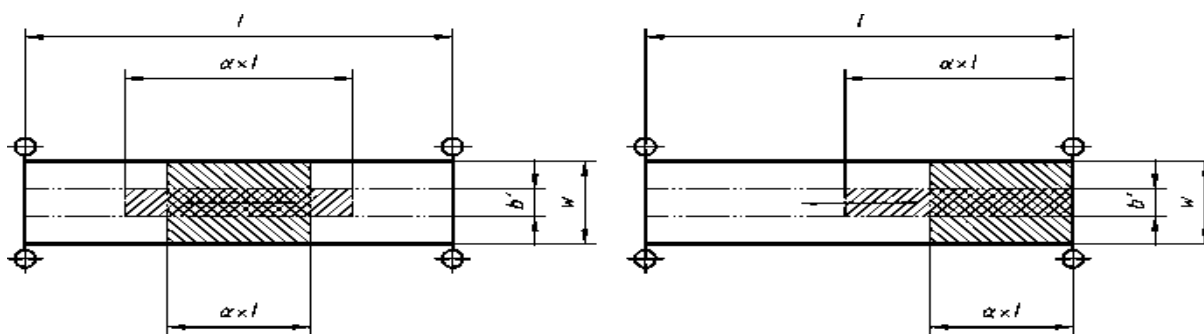
Each platform of load class 4, 5 and 6 shall be capable of supporting a uniformly distributed partial area loading, q_2 , which is a loading greater than the uniformly distributed service load. The partial area is obtained by multiplying the area of the bay, A , by the partial area factor a_p . Values of q_2 and a_p are given in Table 3. The area A is calculated from the length, l , and the width w , of each platform, see Figure 5.

The load path shall be capable of transferring the forces caused by the loads to the standards.

Where there are more than two standards in both directions, as in a birdcage, the partial area loads of four contiguous bays shall be considered for the verification of the respective supporting standard, see Figure 5d). The dimensions and position of the partial area shall be chosen to give the most unfavourable effect. Some examples are shown in Figure 5.

M max; δ : max

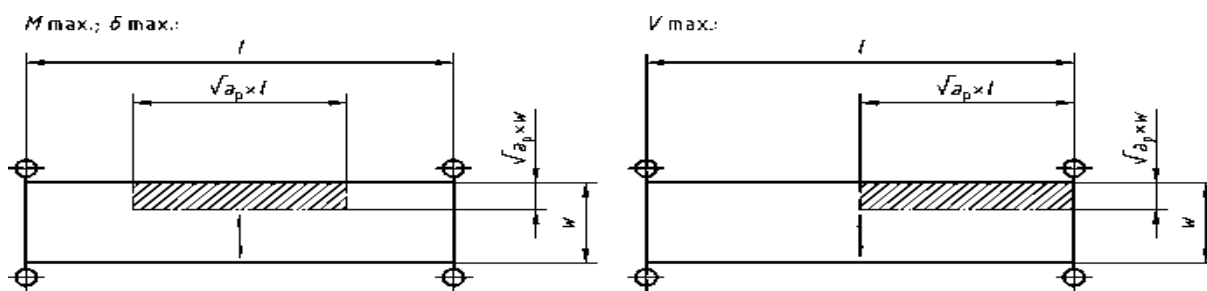
V max



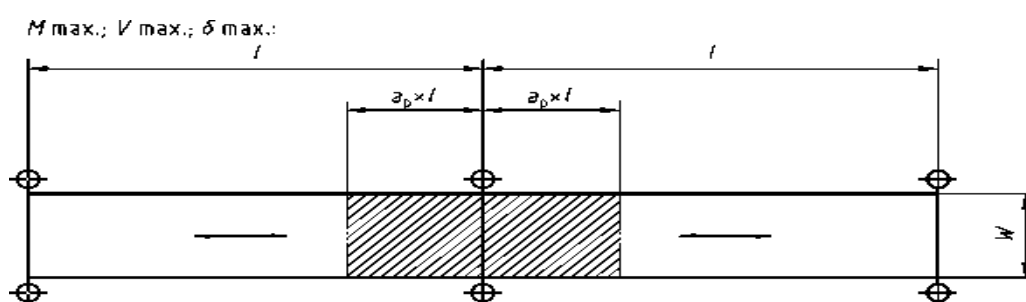
$$b' \leq a_p \times w: \quad \alpha = 1$$

$$a_p \times w \leq b' \leq w: \quad \alpha = a_p \times \frac{w}{b'}$$

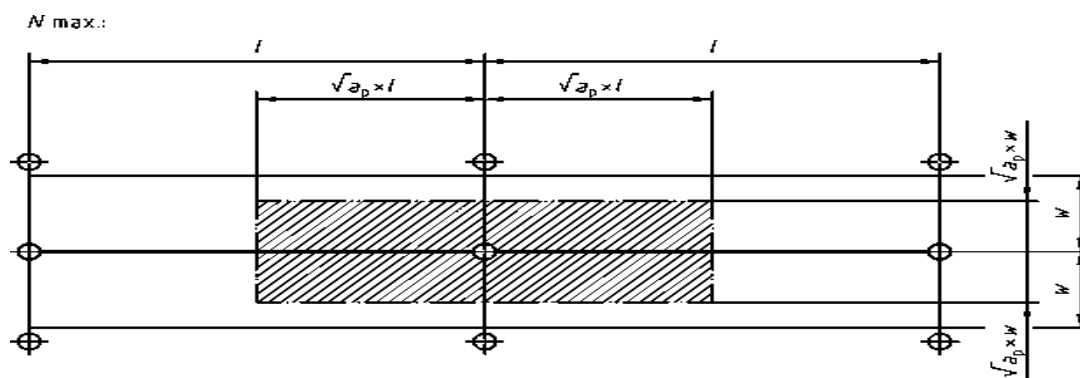
a) Platform *) or platform unit **): longitudinal span



b) Ledger: transverse span of the platform



c) Transom: longitudinal span of the platform



d) Central standard of a birdcage scaffold

Key

l	system length	$M \text{ max}$	maximum bending moment
w	width of the platform	$V \text{ max}$	maximum shear force
a_p	partial area factor, see Table 4	$N \text{ max}$	maximum axial force
b'	width of the platform unit	$\delta \text{ max}$	maximum deflection

Figure 5 (a-d): Examples for the positioning of the partial area load for the calculation of some structural components

6.2.5.2 Horizontal loading

All components of the side protection, except toeboards, shall be designed to resist a horizontal point load of 0,3 kN in each case in the most unfavourable position. This load may be distributed over an area of maximum 300 mm x 300 mm, for example when applied to the grid of a fencing structure. For toeboards, the horizontal point load is 0,15 kN.

6.2.5.3 Upward loading

To check the fixing of all side protection components, except the toeboard, a point load of 0,3 kN shall be applied vertically upwards in the worst position.

6.2.6 Snow and ice loads

An allowance for snow and ice loading on a working scaffold may be required by national regulations.

6.2.7 Wind loads

6.2.7.1 General

Wind loads shall be calculated by assuming that there is a velocity pressure on a reference area of the working scaffold, which is in general the projected area in the wind direction. The resultant wind force, F , in kN, is obtained from equation (2):

$$F = c_s \times \sum_i (c_{f,i} \times A_i \times q_i) \quad (2)$$

where

F is the resultant wind force;

$c_{f,i}$ is the aerodynamic force coefficient for the scaffold component i (see 6.2.7.2);

A_i is the reference area of the scaffold component i ;

q_i is the velocity pressure acting on the scaffold component i ;

c_s is the site coefficient (see 6.2.7.3).

Shielding effects shall not be taken into account.

The following subclauses 6.2.7.2 and 6.2.7.3 relate to unclad working scaffolds only. For wind loads on clad working scaffolds see annex A.

6.2.7.2 Aerodynamic force coefficient, c_f

Aerodynamic force coefficients, c_f , appropriate for some cross sections of scaffold components given in ENV 1991-2-4 shall be used when calculating the wind force on a working scaffold.

For other cross-sections the aerodynamic force coefficients may be taken from national standards or may be determined by wind tunnel testing.

The value of the aerodynamic force coefficient, c_f , shall be taken as 1,3 for all projected areas including platforms, toeboards and the nominal area defined in 6.2.7.4.1 or 6.2.7.4.2 respectively.

6.2.7.3 Site coefficient, c_s

6.2.7.3.1

The site coefficient, c_s , takes into account the location of the working scaffold in relation to a building, for example in front of a façade. The site coefficient c_s according to 6.2.7.3.2 and 6.2.7.3.3 applies to a facade with openings, which are distributed regularly over its area.

6.2.7.3.2

For wind forces normal to the façade, the value of $c_{s\perp}$ is to be taken from Figure 6. It depends on the solidity ratio, φ_B , which is given by equation (3):

$$\varphi_B = \frac{A_{B,n}}{A_{B,g}} \tag{3}$$

where

$A_{B,n}$ is the net area of the façade (with the openings deducted);

$A_{B,g}$ is the gross area of the facade.

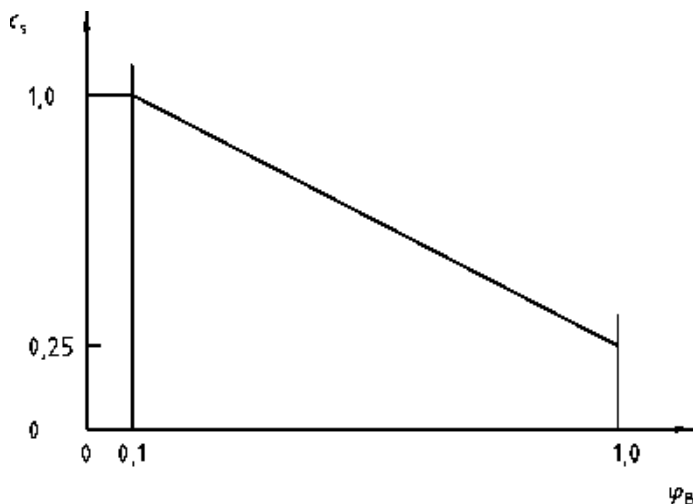


Figure 6 — Site coefficient $c_{s\perp}$ for working scaffolds in front of a façade for wind forces normal to the façade

6.2.7.3.3

For wind forces parallel to the façade, the value of $c_{s\parallel}$ shall be taken as 1,0.

6.2.7.4 Velocity pressure

6.2.7.4.1 Maximum wind loading

The maximum wind loading for the region shall take into account the type and location of the site.

When the European Standard for wind loads is available it shall be used. Pending its availability, data shall be taken from national standards. A statistical factor considering the period of time from the erection to the dismantling of the working scaffold may be taken into account. This factor shall be not less than 0,7 and shall be applied to the wind velocity pressure for a 50-year return period.

NOTE For the purposes of structural design of façade scaffolds made of prefabricated components, design velocity pressures are given in EN 12810-1. These pressures will normally not be exceeded in most of Europe. The actual wind conditions should be checked.

To make allowance for equipment or materials which are on the working area, a nominal reference area shall be assumed at its level over its full length. This area shall be 200 mm high measured from the level of the working area and includes the height of the toeboard. The loads resulting from the wind pressure on this area shall be assumed to act at the level of the working area.

6.2.7.4.2 Working wind load

A uniformly distributed velocity pressure of $0,2 \text{ kN/m}^2$ shall be taken into account. To make allowance for equipment or materials being on the working area, a nominal reference area as defined in 6.2.7.4.1, but 400 mm high, shall be used in calculating working wind loads.

6.2.8 Dynamic loading

The following figures may be taken as equivalent static loads to represent the excess loading caused by dynamic effects in service conditions.

- a) The dynamic effect of the load from an individual item, except people, moving vertically by powered means shall be represented by a 20 % increase in the weight of the item.
- b) The dynamic effect of a load from an individual item moving horizontally, except people, shall be represented by an equivalent static force of 10 % of the weight of the item, acting in any of the practical possible horizontal directions.

NOTE For dynamic loading resulting from people falling down from a height on platforms of facade scaffold made of prefabricated components see EN 12810-1.

6.2.9 Load combinations

6.2.9.1 General

Each working scaffold structure shall be capable of resisting the worst combinations of loads to which it is likely to be subjected. The conditions on site shall be established and load combinations determined accordingly.

For façade scaffolds load combinations are given in 6.2.9.2. These load combinations may also be appropriate for types of working scaffold different from facade scaffolds.

6.2.9.2 Facade scaffolds

The combinations a) and b) shall be used for the structural design of facade scaffolds unless reliable information on the manner of use of the scaffold is available.

In each individual case the service condition and the out of service condition shall be considered.

- a) The service condition
 - 1) The self weight of the scaffold, see 6.2.1.
 - 2) Uniformly distributed service load appropriate to the class of the working scaffold specified in Table 3, column 2, acting on the working area of the most unfavourable decked level.
 - 3) 50% of the load specified in a)2) shall be taken to act on the working area at the next level above or below if a working scaffold has more than one decked level.
 - 4) Working wind load specified in 6.2.7.4.2 or horizontal working load allowance specified in 6.2.3.
- b) The out of service condition
 - 1) The self weight of the scaffold, see 6.2.1.
 - 2) A percentage of the uniformly distributed load, specified in Table 3, column 2, acting on the most unfavourable decked level. The value depends on the class:

class 1:	0 %;	(no service load on the working area);
classes 2 and 3:	25%;	(representing some stored materials on the working area);
classes 4, 5 and 6:	50%;	(representing some stored materials on the working area);

- 3) The maximum wind load specified in 6.2.7.4.1.

In cases a) 2) and b) 2), the load shall be taken as zero, if its consideration leads to more favourable results; for example in the case of overturning.

6.3 Deflections

6.3.1 Elastic deflection of platform units

When subjected to the concentrated loads specified in Table 3, columns 3 and 4 the elastic deflection of any platform unit shall not exceed 1/100 of its span.

Furthermore, when the appropriate concentrated load is applied, the maximum deflection difference between adjacent loaded and unloaded platform units shall not exceed 25 mm.

6.3.2 Elastic deflection of the side protection

Each principal or intermediate guardrail and toeboard, regardless of its span, shall not have an elastic deflection greater than 35 mm, when subjected to the horizontal load specified in 6.2.5.2.

This is measured with reference to the supports at the points where the component is fixed.

6.3.3 Deflection of fencing structures

When subjected to the horizontal load specified in 6.2.5.2, the grid of a fencing structure shall not deflect more than 100 mm with reference to its supports.

When a fencing structure is combined with a guardrail, the requirements for a guardrail shall be satisfied separately.

7 Product manual

For prefabricated components and systems a manual shall be made available to enable the product to be used safely. For façade scaffolds made of prefabricated components see EN 12810-1.

8 Instruction manual

For each type of prefabricated scaffold system the relevant instruction manual should be available on site, and shall include at least the following:

- a) procedure during erection and dismantling the working scaffold, describing the correct sequence of working steps. This instruction procedure shall include drawings and text;
- b) scheme and its details;

NOTE These requirements may be met by standard data, specially prepared information, or a combination of the two.
- c) loads imposed by the working scaffold on its foundation and on the building structure;
- d) information about the class of working scaffold, the number of working areas which may be loaded and the permitted height for different conditions;
- e) detailed information about fixing and dismantling of the components;
- f) information about tying in working scaffolds.
- g) any other limitations.

For requirements regarding an instruction manual for façade scaffolds made of prefabricated components see clause 9 of EN 12810-1:2003.

9 Work on site

9.1 Basic assumption

The design will assume that the erection, use, modification and dismantling will be in accordance with the prepared scheme (drawings, specification and other instructions) and that maintenance of the scaffold structure including its tying and foundations will be provided and will be in a condition to meet the requirements of the design. (See 1.3 of ENV 1991-1:1994 for more details).

9.2 Actions on site

The ability of the foundations to support the load calculated in the design shall be verified. Where lateral support is to be provided by the structure served both the structural adequacy of that structure and the attachment of the anchorages shall be verified.

NOTE Verification should be carried out by a person who has the competence to do so and who is normally either responsible for the design or the erection.

10 Structural design

10.1 Basic design principles

10.1.1 Introduction

Working scaffolds shall be designed for stability and serviceability. This includes load-bearing capacity and positional stability against sliding sideways, uplift and overturning. Unless otherwise stated in this clause, the European Standards for structural engineering shall be applied.

Concepts relate to the limit state method.

Global or detail testing may be carried out to supplement calculation. The testing shall be carried out in accordance with EN 12811-3.

10.1.2 Structural design of components

10.1.2.1 Steel

The structural design shall be in accordance with ENV 1993-1-1.

10.1.2.2 Aluminium

The structural design shall be in accordance with ENV 1999-1-1.

10.1.2.3 Timber

The structural design shall be in accordance with ENV 1995-1-1.

10.1.2.4 Other materials

The structural design shall be in accordance with appropriate European Standards. If they do not exist, it may be in accordance with ISO Standards.

10.1.3 Limit states

The limit states are classified into:

- ultimate limit states;

- serviceability limit states.

At ultimate limit state the design value for the effect of actions, that is the design value of an internal force or moment, E_d , shall not exceed the design value of the corresponding resistance, R_d , in accordance with the expression (4)

$$E_d \leq R_d \quad (4)$$

The design value, E_d , for the effect of actions is calculated from the characteristic values of the actions specified in 6.2 by multiplying each by the corresponding partial safety factor, γ_F .

The design value of the resistances, R_d is calculated from the characteristic resistance values specified in 10.2.4 by dividing by a partial safety factor, γ_M .

At serviceability limit state the design value of the effect of actions specified in the serviceability criterion shall not exceed the limiting design value of the corresponding serviceability criterion, C_d , see expression (5). This applies, for example, to deflections.

$$E_d \leq C_d \quad (5)$$

10.2 Structural analysis

10.2.1 Choice of model

The models adopted shall be sufficiently accurate to predict the structural behaviour level taking into account the imperfections given in 10.2.2.

The analysis carried out by checking separate planar systems shall consider the interaction.

The connection between the ties and the façade shall be modelled so that the ties are free to rotate about axes in the plane of the façade and shall not be assumed to transmit vertical forces.

10.2.2 Imperfections

10.2.2.1 General

The effects of practical imperfections, including residual stresses and geometrical imperfections, such as out of vertical, out of straight and unavoidable minor eccentricities shall be taken into account by suitable equivalent geometric imperfections.

The method of application shall be in accordance with the respective specifications of the relevant design standards, for example, for steel ENV 1993-1-1 and for aluminium ENV 1999-1-1. Deviating from these specifications, the assumptions concerning imperfections in global frame analysis shall comply with 10.2.2.2.

10.2.2.2 Inclinations between vertical components

Frame imperfections by angular deviations at the joints between vertical components shall be taken into account.

For a joint in a tubular standard, the angle of inclination, Ψ , either between a pair of tubular components connected by a spigot permanently fixed to one of the components (see Figure. 7) or between a base jack and a tubular component (see Figure. 8), may be calculated from equation (6):

$$\tan \Psi = \frac{D_i - d_0}{l_0} \quad (6)$$

$\tan \Psi$ may not be less than 0,01.

where

- D_i is the nominal inner diameter of the tubular standard;
- d_0 is the nominal outer diameter of the spigot or base jack;
- l_0 is the nominal overlap length.
- Ψ see Figure 7 and Figure 8 respectively.

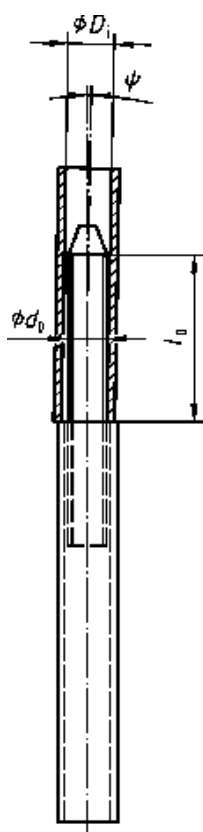


Figure 7 — Angle of inclination between tubular standards

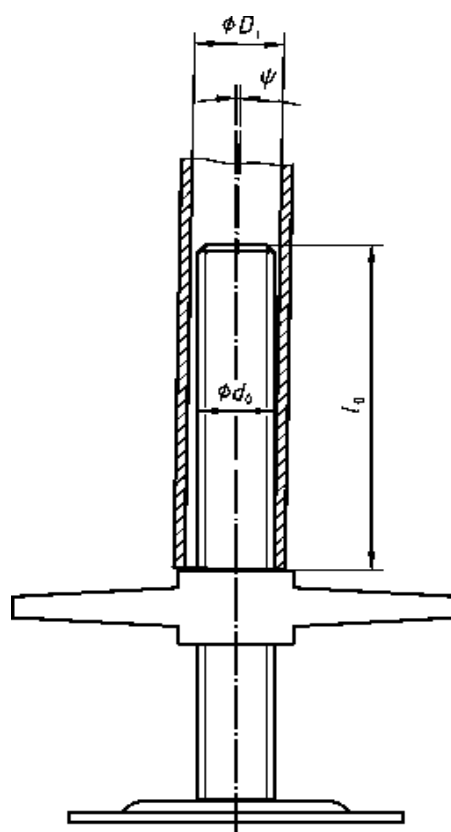


Figure 8 — Angle of inclination between a base jack and a tubular standard

When there are a number, n , of standards with such joints side by side and when planned pre-deflections are excluded, a reduced value for Ψ , represented by ψ_n , may be calculated from equation (7):

$$\tan \psi_n = \sqrt{(0,5 + 1/n)} \tan \Psi \quad (7)$$

where $\tan \Psi$ is given in equation (6) and n is greater than 2

This applies to working scaffolds where the length of the ledgers are not predetermined by connecting devices, for example for tubes and coupler scaffolds.

In the case of a façade scaffold made of prefabricated components, the value of $\tan \psi$ for a closed frame in its plane may be taken as 0,01 if the vertical overlap length is at least 150 mm; and as 0,015, if the overlap length is less, see 5.7.4.

Requirements of 10.2.3.1 also apply.

10.2.3 Rigidity assumptions

1.1.1.1 Joints between tubular members

The joints between tubular members may be assumed to be rigid connections if the spigot is permanently fixed to one standard and if:

- the overlap length of the spigot is at least 150 mm or, in the case of locking device, at least 100 mm; and
- the play between the nominal inner diameter of the tube and the nominal outer diameter of the spigot is not greater than 4 mm.

This assumption applies only to tubular members with external diameters not exceeding 60 mm.

Where neither of these requirements are met, for example if spigots according to EN 74 are used, the joints shall be modelled as ideal hinges. In this case frame imperfections, i.e. the angle between the linked standards (see 10.2.2.2) may be omitted. Alternatively, a detailed check on the spigot and the standard may be done (see 10.3.3.3).

10.2.3.2 Base jacks

The stiffness of base jacks made of steel and with trapezoidal or round shaped rolled threads shall, in the absence of any other data, be determined using, the formula in annex B.

The point of support of the base jacks with fixed end plates may be modelled by a bi-linear spring in accordance with the moment-rotation characteristic shown in Figure 9.

The value for the ultimate bending resistance, M_u , shall be in accordance with the following equation (8):

$$M_u = N \times e_{max} \leq M_{pl,N} \tag{8}$$

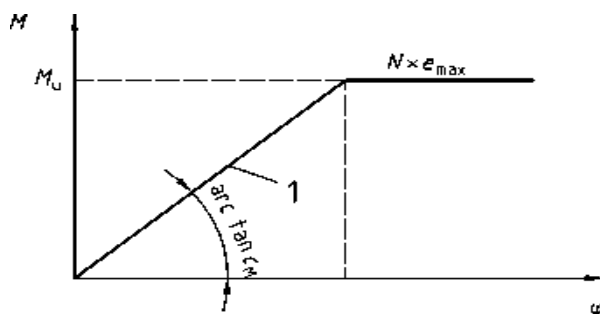
where

N is the axial force;

e_{max} is 0,5 d (maximum eccentricity of the axial force);

$M_{pl,N}$ is the reduced plastic resistance moment of the shaft allowing for axial force;

d is the external diameter of the shaft of the base jack where it is attached to the end plate.



Key

1 spring stiffness $c_M = 2\ 000$ kNcm/rad

M is the Moment

φ is the angle between base jack and sole plate respectively ground

Figure 9 — Moment (M)-rotation (φ) characteristics of the point of support of base jacks

In joints between base jacks and standards the deformation component that results from bending in the overlap zone shall be taken into account.

10.2.3.3 Base plates

The point of support of base plates complying with EN 74 shall be assumed as an ideal hinge.

10.2.3.4 Connecting devices

10.2.3.4.1 General

The realistic load-deformation behaviour of the connecting devices is to be incorporated in the model for the analysis. Alternatively joints may be modelled by assumptions which are on the safe side.

NOTE ENV 1993-1-1 and EN 12811-3 give some information on semi-rigid connections.

For the determination of the relevant parameters for semi-rigid connecting devices in facade scaffold made of prefabricated components, see EN 12810-2.

Where the connections to standards are made by prefabricated joints, for example in a modular system, the design moment-rotation characteristic of ledger-to-standard or transom-to-standard connections shall be determined.

10.2.3.4.2 Right angle couplers (prEN 74-1, class B)

The cruciform stiffness c_{φ} , that is the relationship between the cruciform bending moment (M_B) and angle of cruciform rotation φ , of class B right angle couplers attached to steel or aluminium tubes is shown in Figure C.1. Design values to be used in Figure C.1 are given in Table C.2. This relationship corresponds to the mean value of the cruciform stiffness, which may be applied to the evaluation of forces and moments of the overall scaffold system.

NOTE 1 Figure C.1 and the values in Table C.2 also allow the use of class B couplers complying with EN 74:1988.

In some cases the rotational resistance of right angle couplers will be used, for example in the connection between standard and tie member. The rotational stiffness c_{ϑ} , that is the relationship between rotational moment, M_T , and angle of rotation ϑ , of class B right angle couplers attached to steel or aluminium tubes is shown in Figure C.2. This only applies to couplers, which are secured by screwed means. Design values to be used in Figure C.2 are given in Table C.3. Wedge couplers and class A couplers may not be assumed to transmit rotational forces.

In special cases, where deformations have a major effect on stability of a scaffold structure, for example in free-standing working scaffolds, the axial deformations of the coupler joints shall be taken into account by a longitudinal spring with an appropriate stiffness.

NOTE 2 The values of Table C.1 also allow the use of class B couplers complying with EN 74:1988

10.2.4 Resistances

10.2.4.1 General

The characteristic values of the resistances shall be calculated using the characteristic values of the mechanical properties (for example the yield strength $f_{y,k}$) which are given in prEN 12811-2 or may be taken from relevant standards.

For steel or aluminium members the resistances shall be determined in accordance with 5.4 of ENV 1993-1-1:1992 or 5.3 of ENV 1999-1-1:1998 respectively.

10.2.4.2 Connecting devices

To establish the characteristic values of resistances for

10.3.3 Ultimate limit state

10.3.3.1 General

At ultimate limit state it has to be verified that the design values of the effects of actions do not exceed the design values of the corresponding resistances.

10.3.3.2 Tubular members

For the combination of internal forces, the interaction equation (9) may be used, provided that the design value of the actual shear force $V \leq 1/3 V_{pl,d}$.

$$\frac{M_{pl,N,d}}{M_{pl,d}} = \cos \left[\frac{\pi}{2} x \frac{N}{N_{pl,d}} \right] \quad (9)$$

where

$N_{pl,d}$ is the design value of the resisting axial force and equals $N_{pl,k}/\gamma_M$;

$M_{pl,d}$ is the design value of the resisting bending moment and equals $M_{pl,k}/\gamma_M$;

$V_{pl,d}$ is the design value of the resisting shear force and equals $V_{pl,k}/\gamma_M$.

$M_{pl,N,d}$ is the design value of the resisting bending moment at interaction with actual normal force N

N is the design value of the actual force

For the value of the partial safety factor, γ_M , see 10.3.2.2.

10.3.3.3 Joints between tubular members

When the requirements of a rigid connection between tubular members according to 10.2.3.1 are met, the spigot only needs to be verified for the design bending moment at the joint.

When the overlap is less than 150 mm and the joint is not treated as a hinge, see 10.2.3.1, the detailed structural design check shall include the bending stresses, shear stresses and local bearing stresses.

10.3.3.4 Side protection

Components of the side protection shall withstand the accidental load specified in 6.2.5.1 without failing or disconnecting. A displacement from the original line of more than 300 mm at any point is to be taken as failure. Where necessary the displacement may be calculated by assuming a plastic hinge, which transfers the plastic bending resistance of the component.

10.3.3.5 Couplers

It has to be verified that the design values of the forces acting on the couplers do not exceed the corresponding design values of the resistances according to annex C taking into account the partial safety factor in accordance with 10.3.2.2. If couplers are subjected to a combination of actions, in addition it has to be verified that the expression (10) and or (11) is met.

Right angle couplers:

$$\frac{F_{s1} + F_{s2}}{2 F_{s,d}} + \frac{F_p}{F_{p,d}} + \frac{M_B}{2,4 M_{B,d}} \leq 1 \quad (10)$$

Sleeve couplers:

$$\frac{F_s}{2 F_{s,d}} + \frac{M_B}{M_{B,d}} \leq 1 \quad (11)$$

where

F_{s1} , F_{s2} , F_s , F_p and M_B are the design forces acting on the coupler

$F_{s,d}$ is the design resisting force ; where $F_{s,d} = F_{s,k} / \gamma_m$ (See Table C.1)

$M_{B,d}$ is the design resisting cruciform bending moment; where $M_{B,d} = M_{B,k} / \gamma_m$

For symbols and values to be used in the formulae, see annex C, Figures C.3 and C.4 and Table C.1 respectively.

γ_m is given in 10.3.2.2.

10.3.4 Serviceability limit state

It shall be verified that the deflection requirements specified in 6.3 are met.

10.4 Positional stability

Free-standing working scaffolds as a whole shall be checked against sliding sideways, uplift and overturning.

Working scaffolds shall be verified for local sliding.

Verification methods are given in prEN 12812.

Annex A (informative)

Wind loads on clad working scaffolds

A.1 General

The wind load on a clad working scaffold is calculated from equation (A.1):

$$F = c_s \times \sum_i (c_{f,i} \times A_i \times q_i) \quad (\text{A.1})$$

where

F is the resultant wind load;

$c_{f,i}$ is the aerodynamic force coefficient for the cladding i (see clause A.2);

A_i is the reference area of the cladding i (see clause A.3);

q_i is the velocity pressure acting on the section i of the cladding (see 6.2.7.4);

c_s is the site coefficient (see clause A.4).

The aerodynamic force coefficients are specified separately for both directions, normal ($c_{f\perp}$) and parallel ($c_{f\parallel}$) to the plane of the cladding. They may be considered as independent cases.

This method may not be applied to a clad scaffold structure, which completely encloses a building.

A.2 Aerodynamic force coefficient, c_f

A.2.1 Netting

Where values for the aerodynamic force coefficients, c_f , for a type of netting are not available from a wind tunnel test, the values below should be adopted:

$$c_{f\perp} = 1,3$$

$$c_{f\parallel} = 0,3$$

A.2.2 Sheeting

The aerodynamic force coefficients, c_f , for sheeting should be assumed as follows:

$$c_{f\perp} = 1,3$$

$$c_{f\parallel} = 0,1$$

A.3 Reference area, A

For wind actions both normal and parallel to the plane of the cladding the overall area of the cladding forms the reference area, A . For both cases of clad and unclad sides at the end of a run of a working scaffold the reference area of the cladding for the calculation of the wind forces acting parallel to the plane of the working scaffold is the surface of only one side of the cladding. For wind acting normal to the plane of the cladding areas of scaffold components or objects behind the cladding (sheeting or netting) may not be considered.

A.4 Site coefficient, c_s

The site coefficient, c_s , (see 6.2.7.3) depends on the solidity ratio, φ_B , which is given by equation (A.2):

$$\varphi_B = \frac{A_{B,n}}{A_{B,g}} \tag{A.2}$$

where

$A_{B,n}$ is the net area of the façade (with the openings deducted);

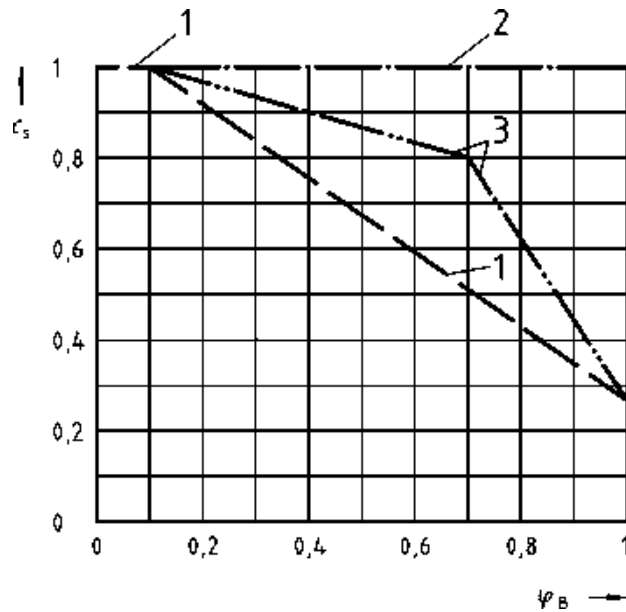
$A_{B,g}$ is the gross area of the façade.

The value of c_s should be taken from Figure A.1. For netting, in both parallel and normal directions, refer to curve 1. Where $c_{s\perp}$ for the netting is greater than 0,8, that netting should be considered as sheeting in respect of site coefficient.

For sheeting in both parallel and normal directions, refer to curve 2, that means $c_s = 1,0$.

The factor, c_s , to calculate the tensile anchoring forces of the scaffold ties on the lee side, may be taken from curve 3.

For calculation of wind loads on the area of the end of a run of a working scaffold, the value of c_s should be taken as 1,0.



Key

- 1 netting in both normal and parallel directions;
- 2 sheeting in both normal and parallel directions;
- 3 for sheeting, but only for calculation of the tensile anchoring forces normal to the façade;
- c_s site coefficient;
- φ_B the solidity ratio.

Figure A.1 — Site coefficient, c_s , for clad working scaffolds in front of a façade

Annex B (normative)

Base jacks; data for calculation

B.1 General

This annex gives methods of calculation for characteristic resistances and deformations of base jacks (see Figure B.1) with trapezoidal or round shaped cold rolled threads made of steel tubes conforming to European Standards. It applies, when the dimensions are within the following parameters.

$$\frac{p}{b_2} \geq 1,22$$

$$h_1 \geq 1,65 \text{ mm}$$

$$\frac{d}{t} \geq 4$$

$$30 \text{ mm} \leq d \leq 60 \text{ mm}$$

where (see Figure B.2 and Figure B.3)

b_2 width of the thread at the bottom;

d diameter of the outer most part of the thread;

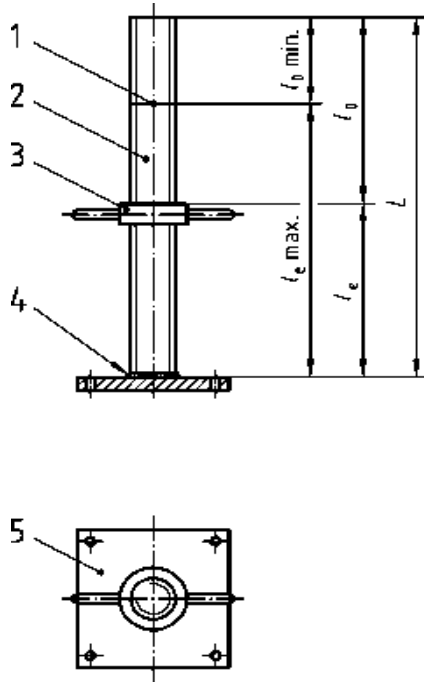
h_1 depth of the thread;

p pitch of the thread;

t wall thickness of the tube before rolling.

Rounding of corners with a radius less than 0,5 mm may be ignored when calculating the cross sectional values.

The following calculation method applies to both types of thread (trapezoidal or round shaped), but different yield strengths have to be assumed (see Table B.1).



Key

- 1 stop to limit collar nut travel
- 2 shaft
- 3 collar nut
- 4 welding
- 5 end plate
- l_b overlap length
- l_e extension length
- L length of the shaft

Figure B.1 — Base jack

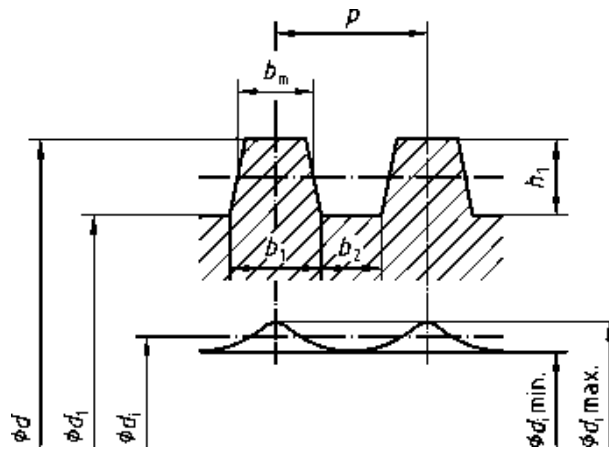


Figure B.2 — Trapezoidal shaped thread

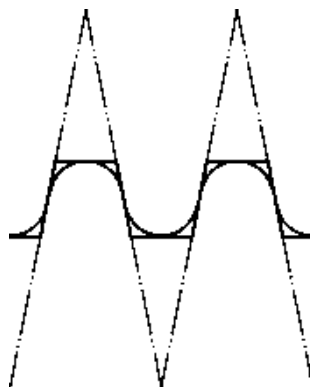


Figure B.3 — Idealisation of round shaped thread

B.2 Characteristic values of the yield strength

The characteristic values given in Table B.1 shall be used in the calculation.

Table B.1 —
Characteristic values of yield strength, $f_{y, k}$, for shafts of steel jacks with cold rolled threads

	Steel type	
	S 235	S 355
	Yield strength, $f_{y, k}$ in N/mm ²	
1 Original material	235	355
2 Trapezoidal threads	320	450
3 Round threads	280	400

The values of lines 2 and 3 of Table B.1 are valid only in conjunction with the idealised cross sectional values of clause B.3 to calculate the characteristic values of the plastic resistance according to clause B.4. In welded parts of the shaft only the yield strength of the original material given in line 1 of Table B.1 shall be used.

B.3 Idealised cross sectional values

The idealised cross sectional values for threaded tubes for the calculation of stresses as well as deformations have to be determined from the equations (B.1) to (B.9).

$$\text{Cross sectional area, } A: \quad A = \frac{\pi}{4} (d_A^2 - d_i^2) \quad (\text{B.1})$$

$$\text{Elastic section modulus, } W_{el}: \quad W_{el} = \frac{\pi(d_w^4 - d_i^4)}{32d_w} \quad (\text{B.2})$$

$$\text{Plastic section modulus, } W_{pl}: \quad W_{pl} = \frac{\pi(d_w^3 - d_i^3)}{6} \quad (\text{B.3})$$

Second moment of area, I_d :
$$I_d = 0,95 \frac{A}{16} (d_1^2 + d_i^2) \tag{B.4}$$

where

$$d_A = d_1 + \Psi_A(d - d_1) \tag{B.5}$$

$$\Psi_A = \frac{11 \times b_m}{d_1 \times p} \quad (\text{the factor 11 has the dimension millimetre, where } p \text{ is defined in clause B.1 and all} \tag{B.6}$$

three quantities are in millimetres)

$$d_i = 0,5 (\text{max. } d_i + \text{min. } d_i) \tag{B.7}$$

NOTE d_i is the average internal diameter of the shaft .

If the diameters d and d_1 are known, the value of d_i may be determined from the weight.

$$d_w = d_1 + \Psi_w (d - d_1) \tag{B.8}$$

$$\Psi_w = \Psi_A + 0,22 \frac{b_m}{p} \tag{B.9}$$

For the explanation of d , d_1 , and b_m see Figure B.2.

B.4 Characteristic values of the plastic resistances

The characteristic values of the plastic resistances of the cross section of the shaft may be calculated from the equations (B.10) to (B.12):

Axial force:
$$N_{pl, k} = A \times f_{y, k} \tag{B.10}$$

Bending moment:
$$M_{pl, k} = \alpha_{pl} \times W_{el} \times f_{y, k} \tag{B.11}$$

Shear force:
$$V_{pl, k} = \frac{2}{\pi} \times A \times \frac{f_{y, k}}{\sqrt{3}} \tag{B.12}$$

where

$f_{y, k}$ is the characteristic value of the yield strength given in Table B.1;

α_{pl} is the lesser of 1,25 and W_{pl}/W_{el} ;

A , W_{el} , W_{pl} are idealised cross sectional values calculated in accordance with clause B.3.

Annex C (normative)

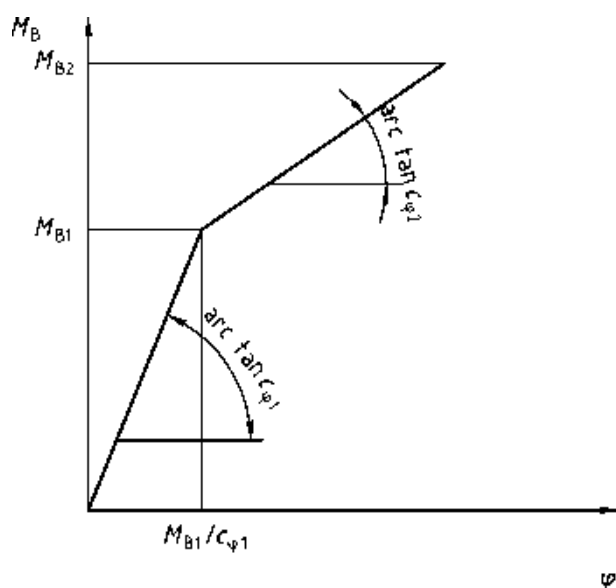
Characteristic values of the resistances for couplers

Characteristic values of the resistances for couplers complying with prEN-74-1 and connecting $\varnothing 48,3$ mm steel or aluminium tubes are given in Table C.1. Corresponding design values of stiffnesses are given in Tables C.2 and C.3.

Table C.1 — Characteristic values of resistances for couplers

Coupler type	Resistance	Characteristic value				
		class A	class B		class AA	class BB
Right-angle coupler (RA)	Slipping force $F_{s,k}$ in kN	10,0	15,0		15,0	25,0
	Cruciform bending moment $M_{B,k}$ in kNm	---	0,8		---	---
	Pull-apart force $F_{p,k}$ in kN	20,0	30,0		---	---
	Rotational moment $M_{T,k}$ in kNm	---	0,13		---	---
Friction type sleeve coupler (SF)	Slipping force $F_{s,k}$ in kN	6,0	9,0		---	---
	Bending moment $M_{B,k}$ in kNm	---	2,4		---	---
Swivel coupler (SW)	Slipping force $F_{s,k}$ in kN	10,0	15,0		---	---
Parallel coupler (PA)	Slipping force $F_{s,k}$ in kN	10,0	15,0		---	---

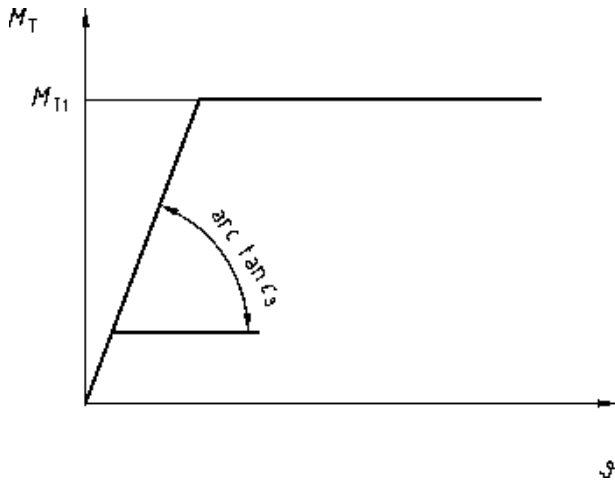
For symbols see Figures C.3 and C.4



Key

M_B is the cruciform bending moment (kNm/rad);
 φ is the angle of rotation (rad);
 $c_{\varphi 1}, c_{\varphi 2}$ are the cruciform stiffnesses ;

Figure C.1 — M_B - φ relationship for class B right angle couplers



Key

M_T is the rotational moment (kNm)
 ϑ is the angle of rotation (rad)
 c_ϑ is the rotational rigidity

Figure C.2 — $M_T-\vartheta$ relationship for class B and C right angle couplers secured by screwed means

Table C.2 — Design values $c_{\varphi 1}$ and $c_{\varphi 2}$ of cruciform stiffnesses for class B right angle couplers attached to steel- and aluminium tubes

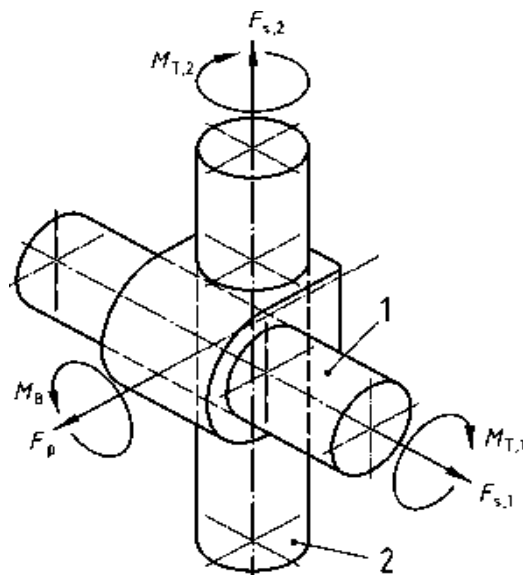
	Steel Tube				Aluminium tube			
	$c_{\varphi 1}$ [kNm/rad]	M_{B1} [kNm]	$c_{\varphi 2}$ [kNm/rad]	M_{B2} [kNm]	$c_{\varphi 1}$ [kNm/rad]	M_{B1} [kNm]	$c_{\varphi 2}$ [kNm/rad]	M_{B2} [kNm]
	15,0	0,48	6,0	0,8	13,0	0,48	5,0	0,8

For symbols see Figure C.1

Table C.3 — Design values c_ϑ of rotational stiffness for class B right angle couplers

	c_ϑ [kNm/rad]	M_{T1} [kNm]
	7,5	0.13

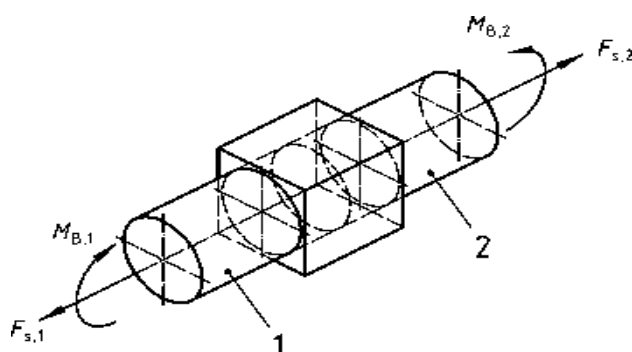
For symbols see Figure C.2



Key

- 1 tube 1
- 2 tube 2
- s slipping force
- p pull apart force
- B cruciform bending moment
- T rotational moment

Figure C.3 - Loads on a right-angle coupler



Key

- 1 tube 1
- 2 tube 2
- s slipping force
- B bending moment

Figure C.4 - Loads on a friction type sleeve coupler

Annex D (Informative)

National A-deviations

A-deviation: National deviation due to regulations, the alteration of which is for time being outside the competence of the CEN member.

This European Standard does not fall under the Directive of the EC. In the relevant CEN countries these A-deviations are valid instead of the provisions of the European Standard until they have been removed.

Austrian national legislative deviations

Vertical ladders are acceptable for using in scaffolds in Austria based on Austrian federal law gazetta BGBl, nr 340/1994 "Verordnung des Bundesministers für Arbeit und Soziales über Vorschriften zum Schutz des Lebens, der Gesundheit und der Sittlichkeit der Arbeitnehmer bei Ausführung von Bauarbeiten (Bauarbeiterschutverordnung – BauV" article §§ 7 to 10.

The height of the side protection is fixed at at least 1 meter in Austria based on Austrian federal law gazetta BGBl, nr 340/1994 "Verordnung des Bundesministers für Arbeit und Soziales über Vorschriften zum Schutz des Lebens, der Gesundheit und der Sittlichkeit der Arbeitnehmer bei Ausführung von Bauarbeiten (Bauarbeiterschutverordnung – BauV" article §§ 7 to 10.

Italian national legislative deviations

In Italy – according to DPR (Decree of the President of the Republic) 7th January 1956 n. 164 " Norme per la prevenzione degli infortuni sul lavoro nelle costruzioni" (Standards for the prevention of accidents at work in the building sector), art. 24, the height of the toeboard shall be equal to 20 cm, instead of 15 cm, as stated in 5.5, and in particular at 5.5.3.

UK national legislative deviations

In the UK regulations governing work on construction sites, the Construction (Health, Safety & Welfare) regulations 1996, it is forbidden in regulation 7 to work on or close to fragile materials. Furthermore a non-fragile material is defined by the test set out in British Standard DD 7995, which all surfaces that persons will walk on must pass. Consequently, this test shall apply to scaffold platforms.

Bibliography

EN 39: 2001, Loose steel tubes for tube and coupler scaffolds – Technical delivery conditions.

EN 131-1:1993, Ladders; terms, types, functional sizes.

EN 131-2:1993, Ladders - Requirements, testing, marking.

EN 10219-1:1997, Cold formed welded structural hollow sections of non-alloy and fine grain steels – Part 1: Technical delivery requirements.

EN 10219-2:1997, Cold formed welded structural hollow sections of non-alloy and fine grain steels – Part 2: Tolerances, dimensions and sectional properties.

EN 10240:1997, Internal and/or external protective coatings for steel tubes – Specification for hot dip galvanized coatings applied in automatic plants.

National annex NA (informative)

Summary of major points

NA.1 General

This standard provides information for the design of access scaffolds primarily made with tube and fittings, using the limit state design method. All values are given in limit state terms.

It does not cover:

- detailed requirements for site activities;
- design by the permissible stress method;
- materials in use covered by standards which are no longer current;
- some types of structure, such as putlog scaffold;
- any practices peculiar to the UK;
- matters not directly concerned with design.

NA.2 Additional items to be taken into account in the UK when EN 12811-1 is used

NA.2.1 Attention is drawn to the A-Deviation given in Annex D which requires that access platforms to be used on site, support the impact loading specified in DD 7995. DD 7995 specifies other tests as well.

NA.2.2 The standard gives information on how to design scaffolds using material to current standards. At present in the UK, equipment is in use that does not conform to EN 12811-1. This needs to be taken into consideration when designing scaffolds.

NA.2.3 Further information on erection tolerances is given in Table NA.1.

Table NA.1 — Erection tolerances

Feature	Erection tolerances
Standards	Vertical to within ± 20 mm in 2 m (subject to maximum deviation of 50 mm)
Bay length and width	± 200 mm on designated lengths Level to within ± 20 mm in 2 m (subject to a maximum total deviation of 50 mm) ^{a)}
Lift height	± 150 mm on the designated height
Nodes	< 150 mm between coupler centres
^{a)} Foot ties may follow the general slope of the ground on which the scaffold is founded.	

NA.2.4 In Annex A, the porosity of the sheeting is measured by its solidity ratio, not its permeability as is more common in the UK.

NA.3 Items in EN 12811-1 not covered by BS 5973

Requirements unique to this standard are noted in National annex NB and, where appropriate, with comment on their use in the UK context.

Considerations to be taken into account when designing by limit state that were not included in BS 5973 are listed in National annex NC.

5.3 requires that an access scaffold should normally have a minimum rectangular clear access at all points along its length.

NA.4 Wind loading

NA.4.1 Wind loading can be calculated in accordance with BS 6399-2.

NA.4.2 A statistical factor considering the period of time from the erection to the dismantling of the working scaffold, as given in EN 12811-1:2003, **6.2.7.4.1**, may be taken into account. This factor is taken as not less than 0,7 and should be applied to the wind velocity pressure for a 50-year return period, as opposed to the previous practice of applying the statistical factor to the basic wind speed.

NA.4.3 Data for frictional drag is given in BS 6399-2:1997, Table 6.

National annex NB (informative)

Requirements unique to this standard or covered in less detail in BS 5973 (withdrawn)

Table NB.1 sets out the differences between EN 12811-1:2004 and BS 5973:1993 (withdrawn).

Table NB.1 — Requirements unique to this standard or covered in less detail in BS 5973:1993 (withdrawn)

Clause/subclause		Comments
EN 12811-1	BS 5973	
4		Materials
4.2.1.3		Steel tubes are to be such that the aesthetic requirements of prEN 74-1 for indentation will be respected. Tubes of 2,7 mm wall thickness are acceptable in prefabricated scaffold. NOTE Only prEN 74-1 specifies an indentation limitation. BS 1139-2.1:1991/EN 74:1988 does not have this requirement, so existing couplers have not been assessed.
	6.2	The default tube in the UK is BS EN 39 type 3, which has about 80 % of the strength of BS 1139-2.1:1991/EN 74:1988 type 4 tube. For identification the tubes are stamped with “3” or “4” as appropriate. BS 5973 was based on type 4 tubes. There was no corresponding limitation for aluminium. All tubes were assumed to be new or in “as new” condition.
4.2.1.2 4.2.1.3 4.2.1.4 4.2.1.5 4.2.2.1 4.2.2.2 4.2.2.3 4.2.2.4		Loose tubes, tubes for prefabricated components for scaffold systems, items used exclusively for side protection and as a platform unit and its immediate support each have a minimum nominal thickness which depends on the specific material.
	6.2	BS 5973 limited the tube types to be used. See comments immediately above.

.....

Table NB.1 — Requirements unique to this standard or covered in less detail in BS 5973:1993 (withdrawn) (continued)

Clause/subclause		Comments
EN 12811-1	BS 5973	
5		General requirements
5.2		There are seven width classes or “ranges” whose minima range from 0,6 m to 2,4 m. The range of each class is typically 0,3 m. Compliance with the requirements of this clause precludes the use of ledger bracing.
	Table 2	There were five width classes whose minima range from 675 mm to 1 575 mm. The width of each class varies in increments of 225 mm.
5.3		The distance between platforms is a minimum of 1,90 m (h_3 in Figure 2). There are also other requirements which are illustrated in Figure 2.
	8.4.3	For walk-through scaffold a lift height of 2,0 m was recommended. Table 4 recommended ± 150 mm on the designated height.
5.4 b)		Platform units should have a slip-resistant surface. A method of determining slip resistance is given in DD 7995:2003, 5.6.
	6.4.1	BS 5973 referred to BS 2482 for scaffold boards.
5.4 c)		It is required that the gaps between platform units do not exceed 25 mm.
	15.4	The gaps between boards were to be as small as reasonably practicable.
	29.9	It was recommended that the gaps between boards be less than 75 mm and be covered if there were people below. Unless the board was notched, a 25 mm gap was not compatible with a 48 mm tube. The typical way to close such a gap was to nail down a strip of plywood.
5.4 d)		The platform has a maximum slope of 1 in 5 without cross battens.
	15.9	The decking had a maximum slope of 1 in 4 without cross battens.
5.5		With regard to side protection, EN 12811-1 is in compliance with the Construction (Health, Safety & Welfare) Regulations 1996.
	15.6	This clause no longer complies with the Regulation.

Table NB.1 — Requirements unique to this standard or covered in less detail in BS 5973:1993 (withdrawn) (continued)

Clause/subclause		Comments
EN 12811-1	BS 5973	
5.5.5		There are specific requirements limiting hole size in fencing structures (brickguards).
	15.7	No dimensions were specified.
5.7.3		There is a specific dimensional limitation for adjustable base jacks.
	BS 5973	No requirements were given for base jacks (adjustable bases).
5.7.4		Minimum overlap in joints between standards (engagement) is specified.
	BS 5973	No requirements were given for minimum overlap in joints between standards (virtually only relevant to prefabricated scaffold).
5.8.1		For access between levels, vertical ladders are implicitly excluded.
	16.1 28.5 Figures 11 and 20	BS 5973 gave traditional dimensions for setting up ladders. Vertical ladders were not precluded by BS 5973.
5.8.2		For stairways, detailed dimensions are specified. See also 5.8.2 Equation 1. In the UK, a class B stair conforms to the requirement for safe and ergonomic means of access.
	30.2	No requirements were given for dimensions to stairways.
5.8.3		For an access opening in a platform the minimum width is 0,45 m, the length is 0,60 m and side protection is specified.
	16.2	It was recommended that an access hole have a maximum width of 500 mm and a length as small as practicable.
	30.2.2	It was recommended that the gaps in the decking (access openings) be as small as practicable to allow access from lift to lift up the ladder or steps.

Table NB.1 — Requirements unique to this standard or covered in less detail in BS 5973:1993 (withdrawn) (continued)

Clause/subclause		Comments
EN 12811-1	BS 5973	
6		Requirements for structural design
6.1.3 Table 3		Six load classes are specified, with the only restriction of use being a bar on material storage on the lowest class. This class is only for global loading, as all platforms are required to be class 2 or higher, see 6.2.2.1. There are various steps to accommodate most national practices. Others are possible in exceptional cases.
	6.4.1 Table 1	Five load classes were specified.
6.2		There are three complex requirements in addition to the “class” uniformly distributed load (UDL). Basic scaffold design is based on the UDL. Normally the additional criteria will only be used to justify generic solutions. Only the UDL is to be carried to the base of the scaffold.
	BS 5973	Requirements were only given for UDL.
6.2.2.1		For loading on the working area, load class 1 platform units have to be capable of supporting class 2 loading.
	BS 5973	No additional requirements above the working UDL were given for loading on the working area.
6.2.2.5		It is not possible to specify a lower load than that on the main platform for cantilevered portions of a working area within 250 mm vertically.
	BS 5973	There was no equivalent clause for cantilevered portions of a working area. Where such a disparity is appropriate, the lower loading should be specified, with the higher loading specified on a limited part of the platform.
6.2.2.6		Birdcage scaffolding loading can have any loading.
	29.2	A BS 5973 birdcage was for access only with a loading of 0,75 kN/m ² .
6.2.3		A horizontal working load allowance of 2,5 % of the UDL or 0,3 kN per bay parallel or perpendicular to the façade is specified.
	39.10	BS 5973 only considered wind.

Table NB.1 — Requirements unique to this standard or covered in less detail in BS 5973:1993 (withdrawn) (continued)

Clause/subclause		Comments
EN 12811-1	BS 5973	
6.2.4		For access routes, landings may have a loading different from the contiguous platform.
	6.4.1	There was no equivalent clause for access routes.
6.2.4		For access stairways, detailed loadings including 1 kN/m ² are specified. However, a concentrated (point) load of 1,5 kN is required in the design of individual components.
	30.2.1	For access stairways in towers, a minimum load of 2,0 kN/m ² was specified.
6.2.5		Side protection loads in various directions are specified, including fencing structures (brickguards) and toeboards.
	BS 5973	No loading requirements were given for side protection.
6.2.6		EN 12811-1 states that an allowance for snow and ice loading on a working scaffold may be required by national regulations.
	34.9, 39.3.4	Effects of icing were considered.
	36.2.3	Snow might be ignored for temporary buildings if short term. See also BS 6399-3.
6.2.7.1		For wind loads, EN 12811-1 has both a location factor c_s (permeability of façade) and a shape factor c_f . Likewise for clad scaffolds Annex A gives data.
	39.10	In regard to wind loads, BS 5973 was based on CP3 Chapter V which gave shape factors for the elements.
6.2.8		Dynamic loads moving vertically are represented by a 20 % increase in the weight of the item. Dynamic loads moving horizontally are represented by a 10 % increase in the weight of the item.
	23.1	BS 5973 specified 25 % vertically.
	24.1	For cantilever bays an impact factor of at least 25 % of the largest lifted load was taken into account.
	26.3	For cantilever beams known impact loads were doubled and added to the load. It was recommended that steel bolts have a minimum safety factor of 3,3.

Table NB.1 — Requirements unique to this standard or covered in less detail in BS 5973:1993 (withdrawn) (continued)

Clause/subclause		Comments
EN 12811-1	BS 5973	
6.2.9		The basic load combination is for two platforms; one loaded fully, one at 50 %.
	Table 1	Typically, the load combination was given for two platforms, but in many cases the user will require more platforms in active use.
6.3		Deflection limits are set for decking and side protection.
	BS 5973	There was no equivalent clause for deflection.
7		Product manual
7		A product manual is specified. Such a manual has to be supplied by a manufacturer who offers a product within the scope of EN 12811-1 for which there is no existing standard. It could also apply if a contractor uses custom-made equipment. It is a requirement of BS EN 12810-1. The product manual should also contain dimensions and structural data for design purposes.
	21	Manuals were to be provided for prefabricated equipment of any type.
8		Instruction manual
8		This clause sets out in more detail, what the section of a product manual about site use should include.
	BS 5973	There was no equivalent clause for instruction manuals.
9		Work on site
9.1		This clause, in effect, requires that the construction and use is coherent with the design.
	Section 3	Work on site was covered in Clauses 18 to 20 inclusive.
9.2		This clause is an attempt to emphasize that the responsibility for verification of foundation suitability is properly delegated.
	11	This clause gave some details of different types of foundations.
	20	This clause gave guidance on inspections of scaffold which includes foundations.

National annex NC (informative)**Aspects of structural design covered by this standard but not by BS 5973 (withdrawn)**

Table NC.1 lists the aspects of structural design covered by this standard but not by BS 5973 (withdrawn). These should be taken into account when designing by limit state.

Table NC.1 — Aspects of structural design covered by this standard but not by BS 5973 (withdrawn)

Clause/ subclause	Comments
10	Structural design
10.1.1	Tests may be used to supplement the calculations for structural design (see also 10.2.4.2).
10.2.1	It is assumed that ties transmit no vertical force. The tie is free to hinge in any direction from the façade, and the only forces allowable are direct tension or compression and lateral shear.
10.2.2.1	If the relevant structural Eurocodes are not followed, it is a requirement that the imperfections given in 10.2.2.2 are adopted for use in global frame analysis.
10.2.2.2	It gives permitted assumptions for angular imperfection.
10.2.3.1	This gives information on spigot strengths.
10.2.3.2 10.2.4.3	In conjunction with Annex B, these give calculation methods for adjustable base jacks.
10.2.3.4.2	It enables the cruciform resistance of class B couplers to be taken into account.
10.3.1	For the determination of internal forces and moments, elastic methods are used except for adjustable bases (10.2.4.3).
10.3.2.1	Simplified partial (safety) factors are used, resulting in an overall factor for steel of 1,65 ($1,1 \times 1,5$), little different from permissible stress.
10.3.3.2	For tubular members an interaction equation is provided for the combination of internal forces.
10.3.3.3	Where rigid connections between tubular members do not conform to 10.2.3.1 , structural design checks are to include bending, shear and local bearing stresses.
10.3.3.4	For components of the side protection the maximum deformation is 300 mm at any point.
10.4	Global or positional stability is verified in accordance with BS EN 12812. The three aspects are overturning, sliding and uplift.
Annex A	Wind loads on clad working scaffolds
	This informative annex gives information on wind loads on clad scaffolds.
Annex B	Base jacks; data for calculation
	This informative annex gives methods of calculation for characteristic resistance and deformations of base jacks.

Table NC.2 — Aspects of structural design covered by this standard but not by BS 5973 (withdrawn) (continued)

Clause/ subclause	Comments
Annex C	Characteristic values of the resistances for couplers
	<p>This mandatory set of data is very similar to prEN 74-1, but makes no reference to it.</p> <p>The values given are for characteristic resistances and not for safe working loads.</p> <p>NOTE A change in value of the bending moment of friction type sleeve couplers is expected to be included in a forthcoming CEN corrigendum, see National foreword.</p>

National bibliography

BS 1139-2.1:1991/EN 74:1988, *Metal scaffolding — Couplers — Specification for steel couplers, loose spigots and base-plates for use in working scaffolds and falsework made of steel tubes.*

BS 2482:1981, *Specification for timber scaffold boards.*

BS 5973:1993, *Code of practice for access and working scaffolds and special scaffold structures in steel.*

BS 6399-2:1997, *Loading for buildings — Part 2: Code of practice for wind loads.*

BS 6399-3:1988, *Loading for buildings — Part 3: Code of practice for imposed roof loads.*

BS EN 39:2001, *Loose steel tubes for tube and coupler scaffolds — Technical delivery conditions.*

BS EN 12810-1:2003, *Facade scaffolds made of prefabricated elements — Part 1: Product specifications.*

BS EN 12810-2:2003, *Facade scaffolds made of prefabricated elements — Part 2: Methods of particular design and assessment.*

BS EN 12812:2004, *Falsework — Performance requirements and general design.*

DD 7995:2003, *Specification for temporary access platforms — Performance and design requirements, and test methods.*

prEN 74-1, *Couplers, spigot pins and baseplates for use in falsework and scaffolds — Part 1: Couplers for tubes — Requirements and test procedures.*

www.bsi.org.uk

BSI — British Standards Institution

BSI is the independent national body responsible for preparing British Standards. It presents the UK view on standards in Europe and at the international level. It is incorporated by Royal Charter.

Revisions

British Standards are updated by amendment or revision. Users of British Standards should make sure that they possess the latest amendments or editions.

It is the constant aim of BSI to improve the quality of our products and services. We would be grateful if anyone finding an inaccuracy or ambiguity while using this British Standard would inform the Secretary of the technical committee responsible, the identity of which can be found on the inside front cover.
Tel: +44 (0)20 8996 9000. Fax: +44 (0)20 8996 7400.

BSI offers members an individual updating service called PLUS which ensures that subscribers automatically receive the latest editions of standards.

Buying standards

Orders for all BSI, international and foreign standards publications should be addressed to Customer Services. Tel: +44 (0)20 8996 9001.
Fax: +44 (0)20 8996 7001. Email: orders@bsi-global.com. Standards are also available from the BSI website at <http://www.bsi-global.com>.

In response to orders for international standards, it is BSI policy to supply the BSI implementation of those that have been published as British Standards, unless otherwise requested.

Information on standards

BSI provides a wide range of information on national, European and international standards through its Library and its Technical Help to Exporters Service. Various BSI electronic information services are also available which give details on all its products and services. Contact the Information Centre.
Tel: +44 (0)20 8996 7111. Fax: +44 (0)20 8996 7048. Email: info@bsi-global.com.

Subscribing members of BSI are kept up to date with standards developments and receive substantial discounts on the purchase price of standards. For details of these and other benefits contact Membership Administration.
Tel: +44 (0)20 8996 7002. Fax: +44 (0)20 8996 7001.
Email: membership@bsi-global.com.

Information regarding online access to British Standards via British Standards Online can be found at <http://www.bsi-global.com/bsonline>.

Further information about BSI is available on the BSI website at <http://www.bsi-global.com>.

Copyright

Copyright subsists in all BSI publications. BSI also holds the copyright, in the UK, of the publications of the international standardization bodies. Except as permitted under the Copyright, Designs and Patents Act 1988 no extract may be reproduced, stored in a retrieval system or transmitted in any form or by any means – electronic, photocopying, recording or otherwise – without prior written permission from BSI.

This does not preclude the free use, in the course of implementing the standard, of necessary details such as symbols, and size, type or grade designations. If these details are to be used for any other purpose than implementation then the prior written permission of BSI must be obtained.

Details and advice can be obtained from the Copyright & Licensing Manager.
Tel: +44 (0)20 8996 7070. Fax: +44 (0)20 8996 7553.
Email: copyright@bsi-global.com.

BSI
389 Chiswick High Road
London
W4 4AL